

Gyru-Star Compact Screening Systems®



GYRU-STAR BROCHURE

Copyright © 2024 Wheatway Solutions Ltd - All rights reserved

About Gyru-Star

OUR PHILOSOPHY

We are a world leading provider of high quality compact screening systems, with performance and practicality at the forefront of our design and manufacturing process. As a customer driven solution provider for the screening, crushing and recycling industry, we have designed the Gyru-Star product range to be the low maintenance, compact attachment that screens without crushing or shredding, making the Gyru-Star Compact Screening System true screeners.

The Gyru-Star Compact Screening System has the ability to be used alongside a wide range of excavators, loaders and skid steers through Kustom Konnect interfaces.



How It Works

The Gyru-Star Compact Screening System uses poly-stars that rotate whilst the system is in operation, creating a rolling action that keeps the material in motion and allows fines to fall through the gaps in the stars.

Since the stars do not grab the material, our systems are true compact screeners.

THE SHELL

The bucket shell is a steel structure with fully welded joints that has been tested up to 1.5 x maximum the permissible load.

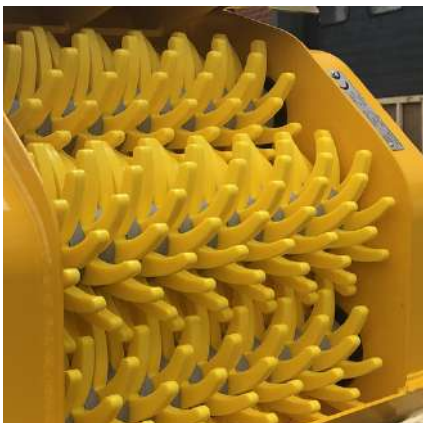
The double skin floor with two integrated driveline cavities adds even weight distribution and maximum strength.

With no internal side obstructions, narrow driveline cavities, and with the integrated lower rotor protection, the material stays where it should be.



THE DRIVELINE & HYDRAULICS

All Gyru-Star Compact Screening Systems can be easily attached to a range of carriers using the auxiliary hydraulic circuit. Motors and hoses are fully encased within the driveline compartment, providing a fully protective and compact design. Carbon belt with self-adjusting belt tensioners, combined sealed bearings allow for a durable, clean, and low maintenance driveline.



THE POLY-STARS

Made from flexible polyurethane, the poly-stars are used to create a rolling action inside the system. The use of poly-stars over the metal counterparts mean that the material is not crushed or shredded resulting in true screening.

Applications



TOP SOIL

When used in landscape renovation, our Compact Screening System can be used to remove stones, vegetation and oversized particles to prepare the soil to be re-used.



COMPOST

The Gyru-Star Compact Screening Systems can be used to separate compostable and non-compostable items, as well as mixing and turning the materials to accelerate the composting process.



MIXING & BLENDING

Mixing pre-screened soil with compost and other materials to improve the final product. This higher nutrient soil can then be used to aid growth of crops and plants.



DEMOLITION WASTE RECYCLING

Sort demolition waste with ease! The Gyru-star Compact Screening System removes fine soils for reuse, separating oversized fragments without crushing or shredding the material – a true screening solution.



PIPELINE & CABLE PADDING

The longer cutting edge available in our MAX range, make quick work of screening large piles of material, allowing for easier reuse of on-site materials by screening directly into a trench.



OTHER

The screening capabilities are endless with these systems having been used effectively to screen woodchip, mulch, sand, knott weed, root matt and even snow!

As Standard

All Gyru-Star Compact Screening Systems come with the following features as standard.

NON-STICK FLOOR

Standard on all models, the non-stick floor helps prevent the build up of material inside the system.

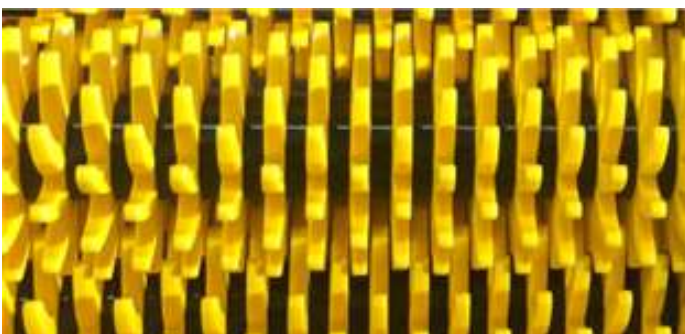


STONE GUARDS

Specialist stone guards for every model. These prevent stones flying out towards the machine or area around the bucket ensuring a safe working area.

CROSS-OVER KIT

Standard on all 4, 5 & 6 rotor models, the cross over kits centre the hoses around the head plate adapter point.



0-20MM FRAGMENT KIT

All standard systems are fitted with a 20-0mm fragment kit with options of 40-0mm, 15-0mm or 10-0mm being available.

E Range



The E Range are the smallest screening systems available in the Gyru-Star Compact Screening family. These systems are suitable for excavators ranging from 1-5 ton. Perfect for work areas where space is limited. There are three fragment sizes to choose from and interfaces are also available.

SCREENING SYSTEMS AVAILABLE



2-50E

2 Rotors
480mm Wide
1-2 ton Excavator
0.06m³ Capacity



2-100E

2 Rotors
1000mm Wide
1.7-2.7 ton Excavator
0.12m³ Capacity



3-60E

3 Rotors
560mm Wide
2-4 ton Excavator
0.13m³ Capacity



3-80E

3 Rotors
800mm Wide
3-5 ton Excavator
0.18m³ Capacity

HE Range



The HE range is designed for heavier excavators but has the option for loader conversion. These systems have increased size and capacity in comparison to the E range due to an increase in rotor quantity and length.

SCREENING SYSTEMS AVAILABLE



3-100HE

3 Rotors
1000mm Wide
4-6 ton Excavator
0.23m³ Capacity



3-120HE

3 Rotors
1200mm Wide
5-7 ton Excavator
2-4 ton Loader
0.26m³ Capacity



4-100HE

4 Rotors
1000mm Wide
7-10 ton Excavator
0.35m³ Capacity

HE Range



SCREENING SYSTEMS AVAILABLE



4-120HE

4 Rotors
1200mm Wide
10-13 ton Excavator
6-8 ton Loader
0.40m³ Capacity



5-120HE

5 Rotors
1200mm Wide
14-20 ton Excavator
0.60m³ Capacity

HDX Range



The Compact Screening Systems in the HDX Range are 1500mm wide and have additional hardox wear plates. The unique design of this range allows for loader conversion and when used in conjunction with a Kustom Konnect interface, the systems can have a dual interface system.

SCREENING SYSTEMS AVAILABLE



3-150HDX

3 Rotors
1500mm Wide
7-10 ton Excavator
3-6 ton Loader
0.35m³ Capacity



4-150HDX

4 Rotors
1500mm Wide
13-18 ton Excavator
5-8 ton Loader
0.60m³ Capacity



6-150HDX

6 Rotors
1500mm Wide
16-24 ton Excavator
6-10 ton Loader
1.20m³ Capacity

L Range



The L range is our dedicated range for loaders. The specialist shell design allows dedicated Kustom Konnect interfaces to be added for easy carrier connection. This can be fixed, adjustable or interchangeable to suit your carrier needs.

SCREENING SYSTEMS AVAILABLE



2-100L

2 Rotors

1000mm Wide

1 ton Loader

0.12m³ Capacity

3-100L

3 Rotors

1000mm Wide

1-2 ton Loader

0.23m³ Capacity

3-120L

3 Rotors

1200mm Wide

1-3 ton Loader

0.26m³ Capacity

3-150L

3 Rotors

1500mm Wide

2-5 ton Loader

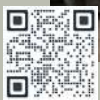
0.35m³ Capacity

SL Range



The SL range is our dedicated range for skid steer loaders. The unique design allows safe entry to the cab via integrated steps. These models have rotors varying from 1200mm to 1500mm in width.

SCREENING SYSTEMS AVAILABLE



3-120SL

3 Rotors
1200mm Wide
1-3 ton Loader
0.26m³ Capacity



3-150SL

3 Rotors
1500mm Wide
2-5 ton Loader
0.35m³ Capacity

MAX Range



The MAX range is known for the longer wider cutting edge. These systems have the largest capacity buckets in the Gyru-Star range holding up to 1.60m³. The specialist design makes material easier to pick up and makes them perfect for padding and backfilling.

SCREENING SYSTEMS AVAILABLE



3-100MAX

3 Rotors
1000mm Wide
4-6 ton Excavator
0.43m³ Capacity



3-120MAX

3 Rotors
1200mm Wide
5-7 ton Excavator
2-4 ton Loader
0.46m³ Capacity



3-150MAX

3 Rotors
1500mm Wide
7-10 ton Excavator
3-6 ton Loader
0.55m³ Capacity



4-100MAX

4 Rotors
1000mm Wide
7-10 ton Excavator
0.50m³ Capacity

MAX Range

SCREENING SYSTEMS AVAILABLE



4-120MAX

4 Rotors

1200mm Wide

10-13 ton Excavator

6-8 ton Loader

0.60m³ Capacity



4-150MAX

4 Rotors

1500mm Wide

13-18 ton Excavator

5-8 ton Loader

0.80m³ Capacity



5-150MAX

5 Rotors

1500mm Wide

16-24 ton Excavator

6-10 ton Loader

1.30m³ Capacity



6-150MAX

6 Rotors

1500mm Wide

20-30 ton Excavator

10-15 ton Loader

1.60m³ Capacity

INTERFACES

Whatever your interface needs, our sister brand, Kustom Konnect, will have the solution. Whether it is for an excavator, loader, telehandler or tractor, Kustom Konnect provide the interface or rail system for the Gyru-Star Compact Screening System.



Specialists in the design and manufacture of interfaces, with Kustom Konnect the options are endless.



Accessories & Fragment Kits



Pressure Control Valve

Available on all 4,5 & 6 rotor buckets.



Hydraulic Cross Over Kit

To change the hose centres to aid carrier connection.



Oil Flow Control

Available on all L/SL buckets to control oil flow speeds.



Anti Reverse Valve

Available for all standard systems/3 rotor systems.



Comb Kits

Available for all standard buckets to help reduce fragment size.



Stone Guards

Stone guard extensions are available on all 100-150 models.

Fragment Kits

40-0mm Kit



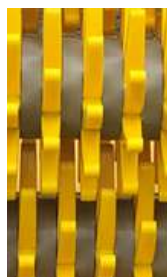
This is the largest nominal fragment kit available on the Gyru-Star range. 40-0mm is denoted by the black stars and comes with an adjustable stripper plate.

20-0mm Kit



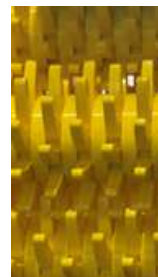
This comes as standard on the Gyru-Star Systems. 20-0mm is denoted by the black rings and comes with an adjustable stripper plate.

15-0mm Kit



This is the intermediate fragment kit. Combs are fitted to the system and it is denoted by grey rings.

10-0mm Kit



This is the smallest fragment kit. Combs are fitted to the system and it is denoted by yellow rings.

Additional shafts are also available.



Fragment and comb kits can be changed after purchase, along with a range of parts and accessories, contact your Gyru-Star Dealer for more information.

Testimonials



"The Best Investment I Have Made"

Nils-Erik Skantze received in Fjärås a Gyrustar 4-150MAX and since then has used it several times a week, commenting "It's the best investment I've made".

Ransome Attachments Turns Skeptic Into A Believer

"It screens the wet just like the dry, that surprised us all."

The Gyrustar, originally viewed with a healthy dose of skepticism, has become a game changer for Shuler's Mulch & Grading.

"I've got an \$80,000-screen plant," Shuler said. "If I would I'd have had this [Gyrustar], I would have never bought that."



Big Gains In Sorting Out Protective Fillings

"I'm very happy with it. Above all, you save on the environment by reusing material in place," says Marcus Folkesson. He goes on to discuss how the 4-150MAX negates the need to transport material on and off the job site leaving less of an impact on the landscape.

Operators Opt For Gyrustar Innovative Screening Systems

"It is a cost-effective way to obtain a screener without having to invest a huge amount of money, it is a perfect fit for our operation and has enabled us to better utilise the machinery we already have. The telehandler is one of the smallest yet, it drives the bucket very well. It takes very little power and runs smoothly off the hydraulics."



For more Testimonials and the latest News and Events, head over to the Gyrustar Newsroom →



Model Specifications

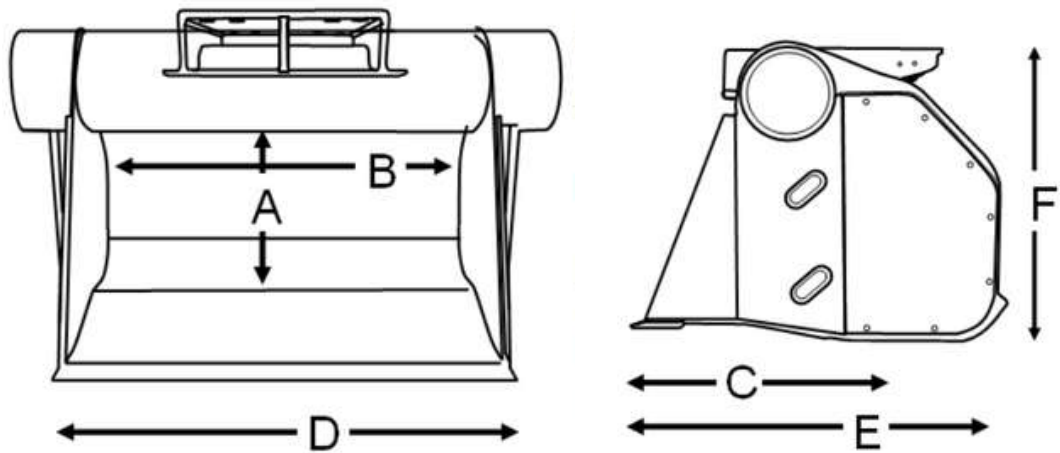
Specifications and technical data for all Gyru-Star Compact Screening System Models, including carrier weights and capacities.

E	Carriers		HYD Requirement		Bucket		Screening Area
	Excavator	Loader Lift Capacity	Flow		Weight	Capacity	
2-50E	1 - 2 ton 2200 - 4400lbs	Excavator attachment only	40 lpm 10.5 gpm/us	Pressure 200Bar 2900PSI	155 Kgs 340 lbs	0.06 m ³ 0.08 yd ³	300 X 480 mm 12 X 19 inch
2-100E	1.7 - 2.7 ton 3750 - 5950 lbs		40 lpm 10.5 gpm/us		240kg 530lbs	0.12 m ³ 0.16 yd ³	300 X 1000 mm 12 x 39 inch
3-60E	2 - 4 ton 4400 - 8800 lbs		55 lpm 14.5 gpm/us		240 Kgs 530 lbs	0.13 m ³ 0.17 yd ³	430 X 560 mm 17 x 22 inch
3-80E	3 - 5 ton 6600 -11000 lbs		55 lpm 14.5 gpm/us		290 Kgs 640 lbs	0.18 m ³ 0.24 yd ³	430 X 800 mm 17 X 32 inch
HE	Excavator	Loader Lift Capacity	Flow		Weight	Capacity	Screening area
3-100HE	4 - 6 ton 880 - 13200 lbs	-	65 lpm 17 gpm/us		360 Kgs 795 lbs	0.23 m ³ 0.30 yd ³	430 X 1000 mm 17 X 39 inch
3-120HE	5 - 7 ton 11000 - 15400 lbs	2 - 4 ton 4400 - 8800 lbs	65 lpm 17 gpm/us		390 Kgs 860 lbs	0.26 m ³ 0.34 yd ³	430 X 1200 mm 17 X 47 inch
4-100HE	7 - 10 ton 15400 - 22000 lbs	-	90 lpm 24 gpm/us		560 Kgs 1235 lbs	0.35 m ³ 0.46 yd ³	615 X 1000 mm 24 X 39 inch
4-120HE	10 - 13 ton 22000-28600 lbs	6 - 8 ton 13200 - 17600 lbs	90 lpm 24 gpm/us		600 Kgs 1320 lbs	0.40 m ³ 0.52 yd ³	615 X 1200 mm 24 X 47 inch
5-120HE	14 - 20 ton 30864 - 44000 lbs	-	90/150 lpm 24/42 gpm/us		861Kgs 1898 lbs	0.60m ³ 0.79yd ³	845mm x 1200mm 33inch x 47 inch
HDX	Excavator	Loader Lift Capacity	Flow		Weight	Capacity	Screening area
3-150HDX	7 - 10 ton 15400 - 22000 lbs	3 - 6 ton 6600 - 13200 lbs	70 lpm 18 gpm/us		600 Kgs 1320 lbs	0.35 m ³ 0.46 yd ³	430 X 1500 mm 17 X 59 inch
4-150HDX	13 - 18 ton 28600 - 39700 lbs	5 - 8 ton 11000 - 17600 lbs	90 lpm 24 gpm/us		860 Kgs 1900 lbs	0.60 m ³ 0.79 yd ³	615 X 1500 mm 24 X 59 inch
6-150HDX	16 - 24 ton 35200 - 52900 lbs	6 - 10 ton 13200 - 22000 lbs	150 lpm 40 gpm/us		1360 Kgs 3000 lbs	1.20 m ³ 1.57 yd ³	1030 X 1500 mm 41 X 59 inch
Max	Excavator	Loader Lift Capacity	Flow		Weight	Capacity	Screening area
3-100MAX	4 - 6 ton 8800 -13200 lbs	-	65 lpm 17 gpm/us		425 Kgs 950 lbs	0.43 m ³ 0.56 yd ³	430 X 1000 mm 17 X 39 inch
3-120MAX	5 - 7 ton 11000 - 15400 lbs	2 - 4 ton 4400 - 8800 lbs	65 lpm 17 gpm/us	580 Kgs 1280 lbs	0.46 m ³ 0.60 yd ³	430 X 1200 mm 17 X 47 inch	
3-150MAX	7 - 10 ton 15400 - 22000 lbs	3 - 6 ton 6600 - 13200 lbs	70 lpm 18 gpm/us	640 Kgs 1410 lbs	0.55 m ³ 0.72 yd ³	430 X 1500 mm 17 X 59 inch	
4-100MAX	7 - 10 ton 15400 - 22000 lbs	-	90 lpm 24 gpm/us	715 Kgs 1580 lbs	0.50 m ³ 0.65 yd ³	615 X 1000 mm 21 X 39 inch	
4-120MAX	10 - 13 ton 22000 - 28600 lbs	6 - 8 ton 13200 - 17600 lbs	90 lpm 24 gpm/us	740 Kgs 1630 lbs	0.60 m ³ 0.79 yd ³	615 X 1200 mm 21 X 47 inch	
4-150MAX	13 - 18 ton 28600 - 39700 lbs	5 - 8 ton 11000 - 17600 lbs	90 lpm 24 gpm/us	980 Kgs 2160 lbs	0.80 m ³ 1.05 yd ³	615 X 1500 mm 21 X 59 inch	
5-150MAX	16 - 24 ton 35200 - 52900 lbs	6 - 10 ton 13200 - 22000 lbs	150 lpm 40 gpm/us	1200 Kgs 2650 lbs	1.30 m ³ 1.70 yd ³	845 X 1500 mm 33 X 59 inch	
6-150MAX	20 - 30 ton 44000 - 66000 lbs	10 - 15 ton 22000 - 33000 lbs	150 lpm 40 gpm/us	1450 Kgs 3200 lbs	1.60 m ³ 2.09 yd ³	1030 X 1500 mm 41 X 59 inch	

Model Specifications

L/SL	Carriers		HYD Requirement		Bucket		Screening Area
	Excavator	Loader Lift Capacity	Flow	Pressure 200Bar 2900PSI	Weight	Capacity	
2-100L	Dedicated Loader & Skid Steer Loader range	1 ton 2200 lbs	40 lpm 8 gpm/us		240 Kgs 530 lbs	0.12 m ³ 0.16 yd ³	300 X 1000 mm 12 X 39 inch
3-100L		1 - 2 ton 2200 - 4400 lbs	65 lpm 17 gpm/us		360 Kgs 800 lbs	0.23 m ³ 0.30 yd ³	430 X1000 mm 17 x 39 inch
3-120L/SL		1 - 3 ton 2200 - 6600 lbs	65 lpm 17 gpm/us		390 Kgs 890 lbs	0.26 m ³ 0.34 yd ³	430 X 1200 mm 17 X 47 inch
3-150L /SL		2 - 5 ton 4400 - 11000 lbs	70 lpm 18 gpm/us		600 Kgs 1325 lbs	0.35 m ³ 0.46 yd ³	430 X 1500 mm 17 X 59 inch

DIMENSIONS



E model	A	B	C	D	E	F
2-50E	300mm 12 inches	480mm 19 inches	355mm 14 inches	510mm 20 inches	584mm 23 inches	510mm 20 inches
2-100E	300mm 12 inches	1000mm 39 inches	355mm 14 inches	1300mm 51 inches	590mm 23 inches	510mm 20 inches
3-60E	430mm 17inches	560mm 22 inches	530mm 21 inches	810mm 32 inches	760mm 30 inches	650mm 26 inches
3-80E	430mm 17 inches	800mm 32 inches	530mm 21 inches	1070mm 42 inches	760mm 30 inches	650mm 26 inches
HE model	A	B	C	D	E	F
3-100HE	430mm 17 inches	1000mm 39 inches	530mm 21 inches	1250mm 49 inches	760mm 30 inches	710mm 28 inches
3-120HE	430mm 17 inches	1200mm 47 inches	530mm 21 inches	1410mm 56 inches	760mm 30 inches	710mm 28 inches
4-100HE	615mm 24 inches	1000mm 39 inches	665mm 26 inches	1370mm 54 inches	900mm 35 inches	890mm 35 inches
4-120HE	615mm 24 inches	1200mm 47 inches	665mm 26 inches	1580mm 62 inches	900mm 35 inches	890mm 35 inches
5-120HE	740mm 29.25 inch	1200mm 47.25 inches	800mm 62 inch	1580mm 62 inches	1095mm 43 inches	1060mm 42 inches

Model Specifications

HDX model	A	B	C	D	E	F
3-150HDX	430mm 17 inches	1500mm 59 inches	620mm 24 inches	1790mm 71 inches	930mm 37 inches	720mm 28 inches
4-150HDX	615mm 24 inches	1500mm 59 inches	715mm 28 inches	1900mm 75 inches	1000mm 40 inches	890mm 35 inches
6-150HDX	1030mm 41 inches	1500mm 59 inches	1000mm 39 inches	1900mm 75 inches	1340mm 53 inches	1300mm 51 inches
MAX model	A	B	C	D	E	F
3-100MAX	430mm 17 inches	1000mm 39 inches	815mm 32 inches	1250mm 49 inches	760mm 30 inches	710mm 28 inches
3-120MAX	430mm 17 inches	1200mm 47 inches	915mm 34 inches	1790mm 70 inches	1400mm 55 inches	720mm 25 inches
3-150MAX	430mm 17 inches	1500mm 59 inches	1015mm 40 inches	1870mm 74 inches	1400mm 55 inches	640mm 25 inches
4-100MAX	615mm 24 inches	1000mm 39 inches	1005mm 39 inches	137mm 54 inches	1400mm 55 inches	890mm 35 inches
4-120MAX	615mm 24 inches	1200mm 47 inches	1105mm 43 inches	1580mm 62 inches	1400mm 55 inches	890mm 35 inches
4-150MAX	615mm 24 inches	1500mm 59 inches	1255mm 50 inches	1900mm 75 inches	1540mm 60 inches	890mm 35 inches
5-150MAX	845mm 33 inches	1500mm 59 inches	1240mm 49 inches	1900mm 75 inches	1830mm 72 inches	1060mm 42 inches
6-150MAX	1030mm 41 inches	1500mm 59 inches	1240mm 49 inches	1900mm 75 inches	1830mm 72 inches	1300mm 51 inches
L model	A	B	C	D	E	F
2-100L	300mm 12 inches	1000mm 39 inches	355mm 14 inches	1220mm 48 inches	590mm 23 inches	510mm 20 inches
3-100L	430mm 17 inches	1000mm 39 inches	530mm 21 inches	1210mm 48 inches	760mm 30 inches	710mm 28 inches
3-120L	430mm 17 inches	1200mm 47 inches	550mm 22 inches	1410mm 56 inches	760mm 30 inches	710mm 28 inches
3-150L	430mm 17 inches	1500mm 59 inches	620mm 24 inches	1790mm 70 inches	1020mm 40 inches	720mm 28 inches
SL model	A	B	C	D	E	F
3-120SL	430mm 17 inches	1200mm 47 inches	550mm 22 inches	1410mm 56 inches	760mm 30 inches	710mm 28 inches
3-150SL	430mm 17 inches	1500mm 59 inches	620mm 24 inches	1790mm 70 inches	1020mm 40 inches	720mm 28 inches



JOIN THE GYRU-STAR FAMILY - FIND US ON SOCIAL MEDIA





Gyru-Star Compact Screening Systems are manufactured by



Wheatway Solutions Ltd
B3 Brearley, Baird Road
Waterwells Business Park
Gloucester
GL2 2AF
England

GYRU-STAR EAST - www.ransomeattach.com / Ph. 888-280-1710

This document was re-issued on 28th March 2024

Copyright © 2024 Wheatway Solutions Ltd - All rights reserved